

# STAR CONNECTOR

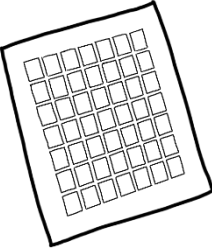
This is the simplest kind of connector to make using paper or thin card. Now your creations can have lots of parts to them!

## Materials

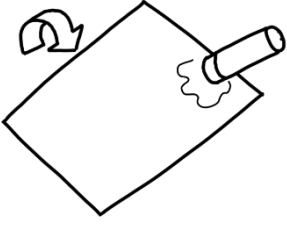


## What to do

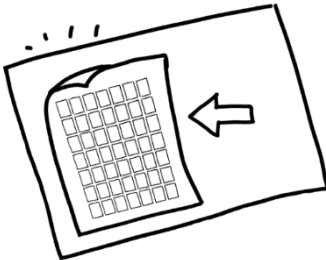
1 Flatten out your box. If you want to use the template, print it out. Or you can draw out the shapes yourself on paper and skip to step 4.




2 Spread glue all over the back of the paper.



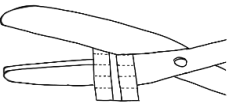
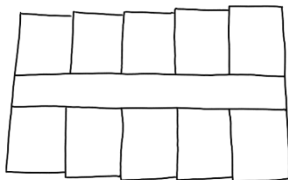
3 Stick the paper to the card.



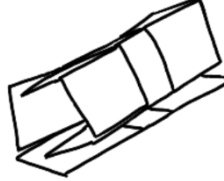

4 Cut out a rectangle.



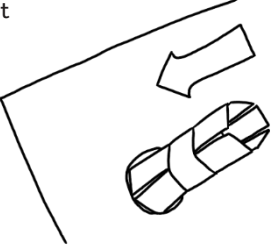
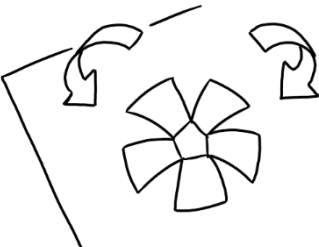
5 Cut small slots into it following the dotted lines, so you have tabs along each side. It'll look like this.

6 Fold along the slots and roll it up tight. Punch a hole in each of the shapes you want to connect, where you want to connect them.

7 Hold the shapes so that the holes are lined up, and push the rolled-up connector through. Fold back each tab on either side so it's lying totally flat against the shape.

Share your experience using #CreateWithAnything and let's inspire one another!



See more activities!

# STAR

template

20mm

