

STAR

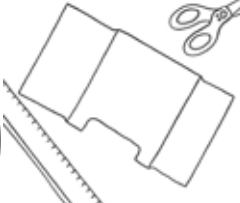
These simple connectors, together with holes in your material, will help you easily connect different shapes together. Adult supervision for this activity is recommended

What do you need?




Preparation

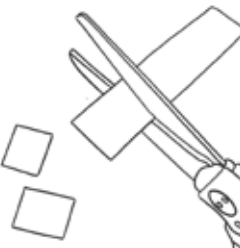
1 Flatten out your box.



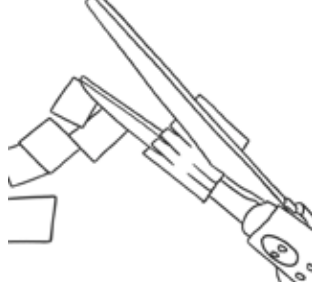
Cut pieces of 1 cm. wide



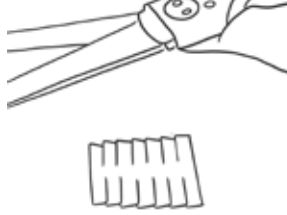
2 With each piece, cut rectangles every 1.5cm




3 Cut small slots in both of the longest sides of the rectangle, so you have tabs along each side.



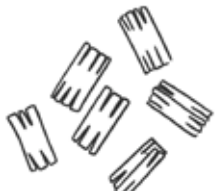
4 It'll look like this. Be careful not to cut through!



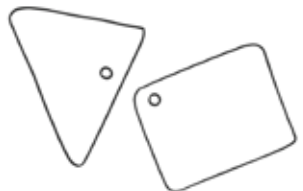
5 Fold along the slots and roll it up tight.




Make as many as you need or want!




6 To use it, punch a hole in each of the shapes you want to connect, where you want to connect them.



7 Hold the shapes so that the holes are lined up, and push the rolled-up connector through.



Fold back each tab on either side so it's lying totally flat against the shape. It is time to create!



Share your experience using #CreateWithAnything and let's inspire one another!