

BUS (3D)

Build a bus and watch it go! It's amazing how a motor can transform your creations.

Materials



Scissors



Pencil



Marker



Large juice carton (1 litre)



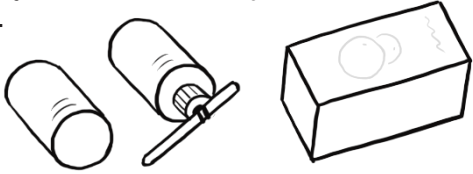
1 or 2 tube motors
(See 'Motors')



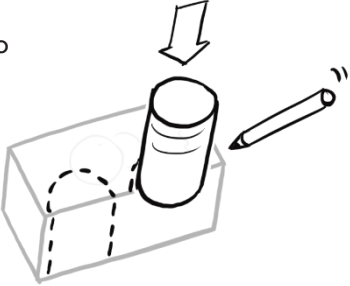
Empty tin can
(same size as motor)

What to do

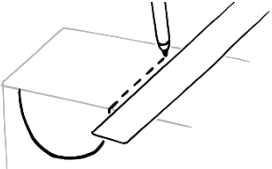

1 First, build your tube motors which you can find under 'Build your basics'. You can just use one if you want.



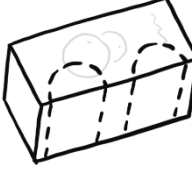
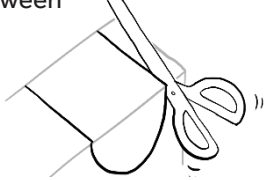
2 Use your can and a marker to mark out two wheel arches on your box.



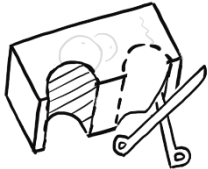

3 Draw straight lines across the bottom. And then draw matching arches on the other side.

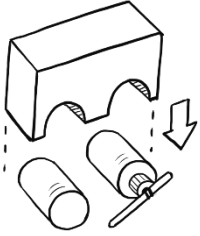
4 It'll look something like this. Use the scissors to cut into the corner. Then cut away the arches and bit between the lines.

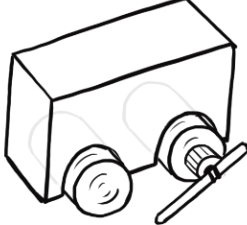
5 Be as neat as you can so it runs smoothly. You should have something like this.

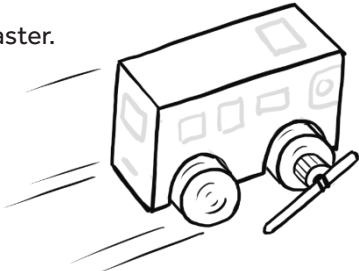
6 Balance your bus onto your can and your motor.



7 Wind it up and watch it go!



Two motors make it even faster. And don't forget you can decorate your bus, too!



Share your experience using #CreateWithAnything and let's inspire one another!